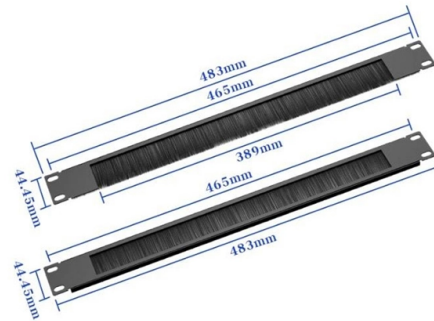


Slovakian Core Switch OSFP



Overview

A: The OSFP is a pluggable form factor with 8x high speed electrical lanes that support up to 400 Gbps (8x50G), 800 Gbps (8x100G), or 1. Up to 36 OSFP ports are supported in 1 U front panel. Q: What are the variants of the OSFP form factors?

So let's say I have just 2x Cat4k or 6k that I would like to enable OSPF between (one acts as Core switch where routing for access switches is done and other will be used for access and a bit of a backup, therefore won't be configured for HA), is it probably best to keep it simple and do ospfv2. OSFP-XD MSA Rev 1. 11 Specification for OSFP-XD Octal Small Form Factor eXtra Dense Pluggable Module is posed in the specification section of the website, to correct the figure 4-11 in the OSFP-XD MSA Rev 1. and a disclaimer is added to the Other Documents section. 22:. This specification defines the electrical connectors, electrical signals and power supplies, mechanical and thermal requirements of the OSFP Module, connector and cage systems. The OSFP Management interface is described in a separate document, Common Management Interface Specification for 8/16X. OSPF: Open Shortest Path First (OSPF) is a link-state routing protocol that is used in Internet Protocol (IP) networks and suitable to be deployed on single autonomous system (AS), such as an enterprise network. This whitepaper highlights the key aspects and features of each solution with the expectation that both solutions will have a place in future data center applications. It uses 8 lanes at 50G PAM4 (400G) or 100G PAM4 (800G) with a 60-pin edge connector.

Article Content

OSPF | FortiSwitch 7.6.0 | Fortinet Document Library

Open shortest path first (OSPF) is a link-state interior routing protocol that is widely used in large enterprise organizations. OSPF provides routing within a single

Configuring OSPF

To enable OSPF, create an OSPF routing process, specify the range of IP addresses to associate with the routing process, and assign area IDs to be associated with that range.

should i enable OSPF on core switch or on Edge switch?

You should use the three layer-model. If it's a large remote office you may connect it til core, if not you should connect it to a distribution switch at the HQ. You must have OSPF (or the

Open Shortest Path First

The last notable thing we will discuss about OSPF is how it is related to open source. OSPF is a walking, talking representation of an algorithm known as the Dijkstra algorithm, which finds the

Understanding OSFP: The Future of Transceivers in

Explore the OSFP transceiver: a high-speed, future-ready solution for data centers. Learn its advantages in bandwidth, thermal performance, and signal integrity.

OSPF Neighbour between Core Switch and Router, connected

Hi Team, I am planning to seggregate Wan Connectivity and Corporate users through Firewall. Currently OSPF is running between my Core Switch and Wan router, if i move Wan Router

AIS800-640 (OSFP800)

The Edgecore DCS560 / AIS800-640 is a high-performance, low-latency switch ideal for data centers, AI/ML clusters, and high-performance computing. It features 64x

OSFP1600_and_OSFP-XD

The OSFP MSA is proud to introduce OSFP1600 and OSFP-XD to the industry. This whitepaper highlights the key aspects and features of each solution with the expectation that both solutions will

IP Routing Configuration Guide, Cisco IOS XE 17.18.x (Catalyst 9400 ...

The switch supports Open Shortest Path First (OSPF) for IPv6, a link-state protocol for IP. For configuring OSPF for IPv6, see the Configuring OSPF for IPv6 section.

OSFP MSA Rev 5.0

The OSFP module contains a PCB with contact pads (i.e., module PC board; paddle card) that mate with a connector as specified in Section 5.10 of this document. Critical dimensions for the contact

QSFP-DD vs OSFP: What Are the Differences?

It is obvious that the OSFP form factor is slightly wider and deeper than the QSFP-DD, but it still supports 36 OSFP ports per 1U front panel, enabling 14.4Tb/s per

OSPF Implementation on Core Switch

Solved: So let's say I have just 2x Cat4k or 6k that I would like to enable OSPF between (one acts as Core switch where routing for access switches is done and other will be used for access

OSPF Configuration Guide

OSPF is enabled on these SVIs. This means the access switch will advertise the networks (VLAN subnets) directly connected to it into the OSPF domain. If there are dedicated links

OSPF Configuration Guide

Before OSPF is configured, the switch must have IP routing enabled to allow it to forward traffic like a router. The following section details how OSPF is configured and works on access

OSFP MSA Rev 5

Abstract: This specification defines the electrical connectors, electrical signals and power supplies, and mechanical and thermal requirements of the OSFP Module, connector, and cage systems. The

OSFP OCTAL SMALL FORM FACTOR PLUGGABLE MODULE

Abstract: This specification defines the electrical connectors, electrical signals and power supplies, mechanical and thermal requirements of the OSFP Module, connector and cage systems. The OSFP

Introduction to OSFP Optical Transceiver

One of the nontraditional aspects of OSFP is that it integrates thermal management (heat sinking) directly into the form factor to help cool the module, similar to the microQSFP form factor that

Setting up OSPF on HP Switches

To run OSPF on HP Procurve switches, you will most likely need the "Premium" software license. Once you have that, configuring OSPF is fairly easy, although different from the Cisco

Introduction to OSPF | Junos OS | Juniper Networks

OSPF Default Route Preference Values The Junos OS routing protocol process assigns a default preference value to each route that the routing table receives. The default value depends on the

Solved: OSPF behaviour during core change

Hi all, During a recent core swap out we experienced some routed traffic being black holed. This happened when the layer 2 connections were brought up on the new core and was

Cisco OSFP 800G Transceiver Modules Data Sheet

The Cisco ® OSFP 800G transceiver modules provide 800 Gigabit Ethernet (GE), 2x 400GE, 4x 200GE, and 8x 100GE connectivity options, complying with the Octal Small Form Factor

Contact Us

For more information, pricing, or custom solutions, please contact us:

Website: <https://www.activa.net.pl>

Email: sales@activa.net.pl

Phone: +48 662 748 193

Address: ul. Cybernetyki 7B, 02-677 Warsaw, Poland

This document is for informational purposes only. Specifications subject to change without notice.

