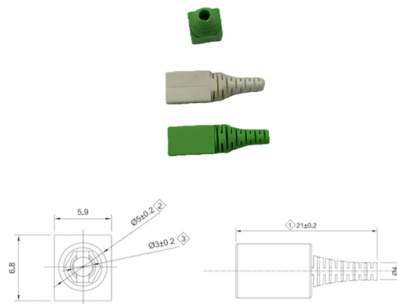


# Power Supply Cabinet Brand Ranking



## Overview

Here is a comprehensive analysis of the 10 best PSU brands: 1. XPG (Xtreme Performance Gear) 9. Corsair Corsair is a global leader in power supplies, high-performance. Power supply units (PSUs) are essential for most PC setups and builds. PSUs supply power and handle transient spikes in high-power electronic parts like graphics cards. However, some power-intensive PC applications require high-end PSUs. There are a lot of great guides on the internet that can explain this more fully, but there are six primary efficiency ratings available: 80 PLUS, 80 PLUS Bronze, 80 PLUS Silver, 80 PLUS Gold, 80 PLUS Platinum, and 80 PLUS Titanium. This rating system simply means that the PSU will have an. Whether you are a consumer or a business seeking the top 9 PC manufacturers, this article offers a convenient one-stop resource for all the information you need. We will cover the product range, certification, warranty, form factors, and other aspects, including OEM/ODM services. While we do not recommend purchasing any. Here is the ultimate list-based hierarchy of all power supply units. We've ranked them in 8 different tiers so you can easily find out if your PSU is good or not. It entails hours of trawling enthusiast. Cooler Master: Budget-Friendly Excellence 1.

## Article Content

Energy storage cabinet manufacturer ranking

Energy Storage Battery Cabinet Manufacturers Ranking 240KW/400KW industrial rooftop - commercial rooftop - home rooftop, solar power generation system. 5 & #183; In 2021, the global ...

SPL's PSU TIER LIST

Most brands do not design or produce their own power supplies. Seasonic, FSP, High Power, and Super Flower are a few of the larger exceptions to this rule. In addition to producing units under their own

RANKING OF IMPORTED ENERGY STORAGE CABINET BRANDS

High-Capacity Energy Storage: With a capacity of 80-120kWh, this cabinet is ideal for small businesses and commercial applications, providing a reliable source of power during outages

OUTDOOR ENERGY STORAGE CABINET BRAND RANKING

Energy storage cabinet outdoor power supply comes with solar charging panel  
Standardized Structure Design: Includes energy storage batteries, power conversion systems (PCS), photovoltaic modules,

POWER ENERGY STORAGE CABINET MANUFACTURER RANKING

Energy storage power cabinet source manufacturer Various manufacturers exist in the realm of energy storage cabinets, encompassing both established and emerging players, \*\*2. these manufacturers

TOP 10 ENERGY STORAGE CABINET BRANDS RANKINGTOP 10

Learn about TOP 10 ENERGY STORAGE CABINET BRANDS RANKINGTOP 10 ENERGY STORAGE CABINET BRANDS RANKING - professional energy storage and power solutions including

Global Power Distribution Cabinets Market 2026

Power Distribution Cabinets Market are essential in data centers to ensure consistent and uninterrupted power supply to critical equipment. This trend is expected to continue, with data centers focusing on

Power Distribution Cabinets market size will be \$7,150.51 Million by

As per Cognitive Market Research's latest published report, the Global Power Distribution Cabinets Market size will be USD 7,150.51 Million by 2029. The Global Power Distribution Cabinets Industry's

Ranking of photovoltaic energy storage ring network cabinet

On the first day of the conference, PVBL's annual ranking of the Top 20 Global Photovoltaic Inverter Brands was announced. Preferential policies promoted the inverter market

### Best Cabinets With Power Supply for Network Racks

For data centers, offices, or home labs, cabinets integrated with reliable power supplies streamline connectivity and reduce clutter. This article highlights top power-ready cabinet

### 10 Best Power Supply Unit (PSU) Brands for PC

We'll start by discussing the biggest and best PSU brands in the industry and then dig a little deeper into the exact specs you should be paying attention to when

### Definitive PSU Brand Rankings: Expert Reviews & Buying Guide

Discover the top power supply brands ranked by performance, efficiency & reliability. Expert analysis of Seasonic, Corsair, ASUS & Dunaopc's Quantum Series for gaming PCs and

### 2025 Cabinet PDU Brand Cost-Effectiveness Ranking: Enterprise ...

PDU is a key component in the cabinet power distribution system, and its importance is very obvious. PDU directly affects the power supply stability in the data center, and also affects the

## Contact Us

For more information, pricing, or custom solutions, please contact us:

Website: <https://www.activa.net.pl>

Email: [sales@activa.net.pl](mailto:sales@activa.net.pl)

Phone: +48 662 748 193

Address: ul. Cybernetyki 7B, 02-677 Warsaw, Poland

This document is for informational purposes only. Specifications subject to change without notice.

