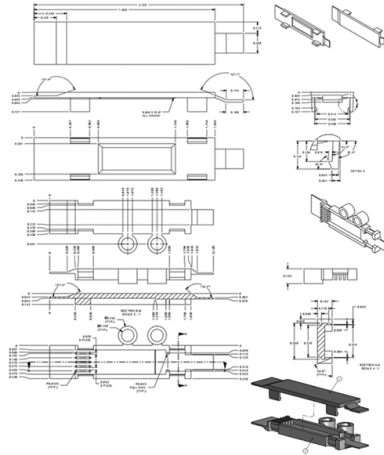


Can fiber optic cables only be used with routers



Overview

Q: Can I plug a fiber optic cable directly into a router?

A: Only if your router has an SFP port designed for fiber. Q: Do I need a special router for fiber optic internet?

A: While not all routers support fiber, many modern models do. To connect your fiber optic cable to a router, ensure you have the following: Fiber optic modem (ONT): Most fiber connections require an Optical Network Terminal (ONT), provided by your ISP. This comprehensive guide combines industry standards with field-tested practices to ensure you achieve a rock-solid connection. Yes, you can connect a fiber optic cable to a wireless router. You need a modem or ONT to do so. As internet speeds continue to evolve, fiber optic broadband is becoming the gold standard for ultra-fast and reliable internet connections. There are several types of connectors, including LC, SC, and ST.



Article Content

Ethernet Cables Types: Cat 3, 5, 5e, 6, 6a, 7, 8 Wires Explained

This tutorial explains the Definition of ethernet cables, ethernet cable types, shielded cables, and Ethernet cables categories like Cat 3, 5, 5E, 6, 6a, 7, 9 ETC.

Determining Fiber Optic Compatibility with Routers: A Comprehensive

Learn how to determine the compatibility of fiber optic cables with routers, including the process of installing a fiber converter in an ISP box and connecting using female-female connectors.

ScienceAdviser: Fiber optic cables can eavesdrop on nearby ...

Earthquake-sensing fiber cables can also pick up speech Fiber optic cables used to detect earthquakes may also be able to eavesdrop on nearby conversations. Researchers reported last

From Science Magazine: "Fiber optic cables can eavesdrop on nearby ...

And although scientists set up dedicated fiber lines specifically for research, DAS can also be performed on "dark fiber"—unused strands in the web of fiber optics that runs through cities and

Fiber Router vs. Normal Router

A fiber router is designed to work specifically with fiber optic internet connections, providing faster and more reliable speeds compared to a normal router that typically works with traditional broadband

Fiber Optic Cable to Router: Step-by-Step Guide

Now that you've gathered your tools and ensured router compatibility, it's time to dive into the process of how to connect fiber optic cable to router. In this section, we'll

How to Connect a Fiber Optic Cable to a Router

Setting up a fiber internet connection requires understanding key hardware components and following a specific connection sequence to establish your home network. This guide details the

Fiber-optic cable

A fiber-optic cable, also known as an optical-fiber cable, is an assembly similar to an electrical cable but containing one or more optical fibers that are used to carry

Can I use my existing router with fiber?

Yes, you can often use your existing router with fiber optic internet, but there are crucial considerations. Understanding compatibility, potential limitations, and

what routers can you use with only a fiber optic cable

In some cases, the only ONT the ISP offers includes an integrated router - in SOME cases the routing function can be disabled, so that the device functions only as a media bridge, to which to connect a

Fiber optic cables can eavesdrop on nearby conversations

And although scientists set up dedicated fiber lines specifically for research, DAS can also be performed on “dark fiber”—unused strands in the web of fiber optics that runs through cities and

Best Routers For Fiber Optic Internet | Verizon Business

Find the best routers for fiber optic internet to maximize speed and security. Ensure seamless business connectivity with top-performing equipment. Explore options now!

Contact Us

For more information, pricing, or custom solutions, please contact us:

Website: <https://www.activa.net.pl>

Email: sales@activa.net.pl

Phone: +48 662 748 193

Address: ul. Cybernetyki 7B, 02-677 Warsaw, Poland

This document is for informational purposes only. Specifications subject to change without notice.

